

# MHP13AT

## TRAILER MOUNTED BOOM LIFT



- Safe and stable working height of up to 12.9m
- Heavy duty trailer mounted articulated boom lift
- Robust steel platform with two man capacity
- Easy to use outrigger/boom safety interlocks
- Ideal for a wide range of applications

 **snorkel**<sup>™</sup>  
[www.snorkellifts.com](http://www.snorkellifts.com)

# TRAILER MOUNTED BOOM LIFT

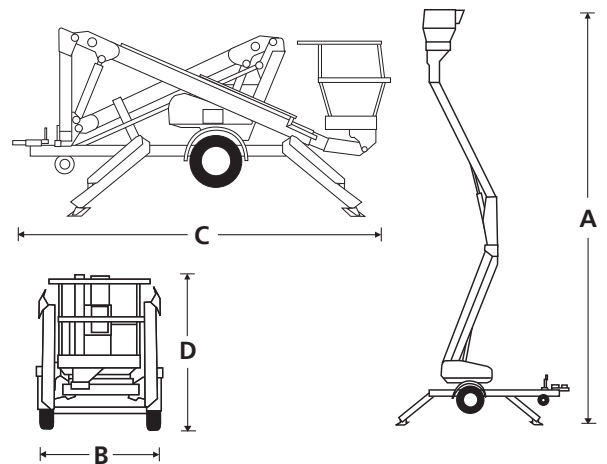
# MHP13AT

DIMENSIONS	MHP13AT
Max.height	12.9m
Max. platform height (A)	10.9m
Horizontal outreach	6.4m
Platform size	1.15m x 0.7m
Overall width (outriggers extended)	3.6m
Overall width (outriggers retracted) (B)	1.6m
Overall length (C)	4.9m
Transport length (D)	2.0m

PERFORMANCE	
Platform capacity	215kg
Max. wind speed	12.5m/s
Levelling	auto
Turntable rotation	540° non-continuous
Tyres	185 R14 102/100P
Brakes	Hydraulic over-run non free reversing
Insulation rating	Nil
Trailer tongue weight	80kg

POWER	
Power source	Honda petrol

WEIGHT	
Gross weight	1,460kg



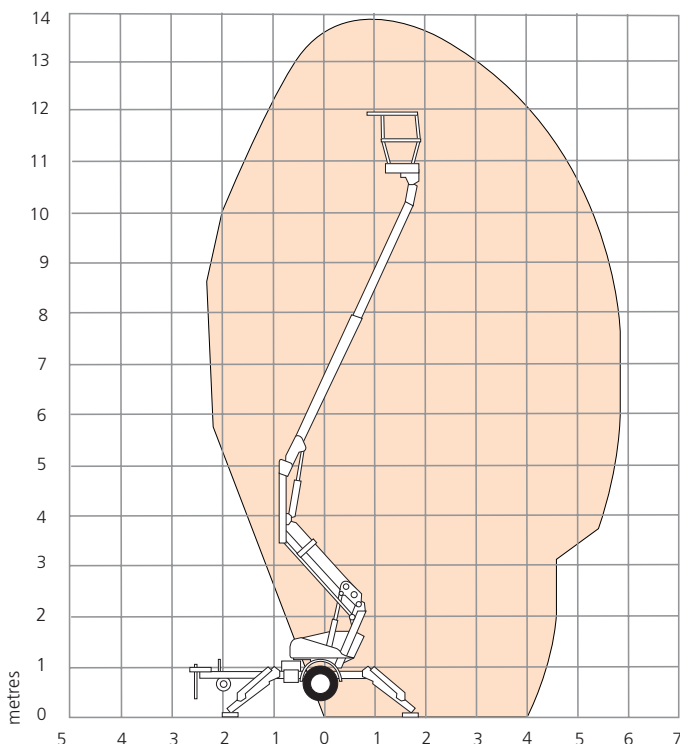
## STANDARD FEATURES

- Heavy duty tow coupling
- Hydraulic stabilisers
- Two man steel platform
- Two person capacity
- Heavy duty jockey wheel
- Hydraulic disc brakes
- Reliable petrol engine
- Outrigger boom safety interlocks
- Platform foot switch
- Spare wheel
- LED taillights
- Lifting lugs
- Automatic self-levelling stabilisers
- Rotating basket mount
- Basket overload

## OPTIONS

- Custom colours
- Platform work lights
- Air line to platform
- Flashing light
- 240V 110V outlet in platform
- Battery isolate switch
- Diesel and bi-energy options

## WORKING ENVELOPE



**snorkel** [www.snorkellifts.com](http://www.snorkellifts.com)

Vigo Centre, Birtley Road,  
Washington, Tyne & Wear,  
NE38 9DA, U.K.

t: +44 (0) 845 1550 057  
e: sales@snorkellifts.com